

MEI 3-TIER STEP DISPLAY


TYPICAL: 4' & 3' SECTIONS
 BASE STEP 16" AFF
 ELEVATION: 10"
 STEP FLAT: 12"
 McCUE BUMPER: 1" BLACK
 TOE KICK: 4" BLACK

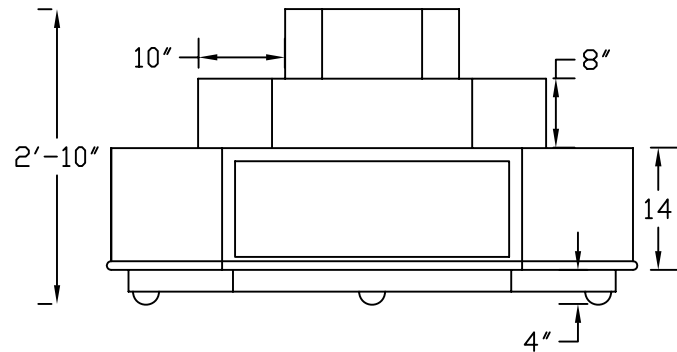
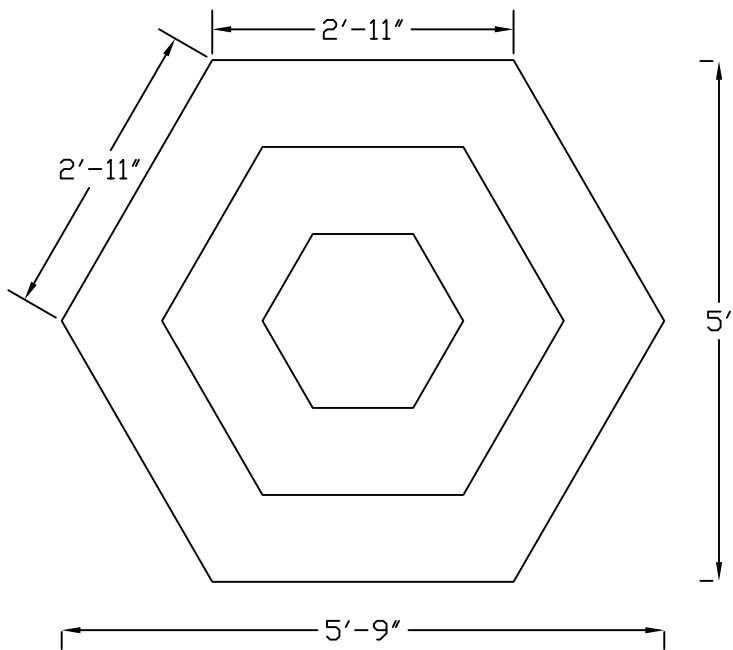
OPTIONAL: CONVERTIBLE STEP (AS DRAWN)
 OPTIONAL: STORAGE DRAWER/S (AS DRAWN)

STEP UNITS BUILT TO SIZE AND
 DEPTH REQUIREMENTS

FINISHED ENDS, FINISHED BACK AVAILABLE

FOR INFORMATION ONLY - ALL RIGHTS RESERVED
 Do not forward or reproduce without
 expressed permission.
 MEI (Division of Marcy Enterprises, Inc.)

PROJECT NO.		 LaGRANGE PARK, IL. 60526 P.O. BOX 1322	
DWN	MKB	DATE	
CHK		03/06/06	
UNLESS OTHERWISE SPECIFIED DIMENSIONS ARE IN INCHES TOLERANCES ANGLES ±5° FRACTIONS ±1/16 DO NOT SCALE		TITLE	MEI THREE-TIER STEP W/ CONVERTIBLE OPTION STORAGE DRAWERS
SIZE	A	DWG NO.	STEP DISPLAY
SCALE	NTS	REL DATE	SHEET OF



FLORAL HEXAGON ISLAND DISPLAY
 CONSTRUCTION:
 PLYWOOD/FIBERBOARD
 3" TOE KICK
 3" CASTORS, 2-LOCKING
 McCUE BUMPER

WATERPROOF LAMINATE FACINGS/TOP
 3 - NET OPENING FOR BASE DISPLAY
 OR STORAGE DRAWERS

FOR INFORMATION ONLY - ALL RIGHTS RESERVED
 Do not forward or reproduce without expressed permission.
 MEI (Division of Marcy Enterprises, Inc.)

PROJECT NO.		LaGRANGE PARK, IL. 60526 P.O. BOX 1322	
DWN MKB	DATE 04/20/05	TITLE MEI HEXAGON ISLAND FLORAL DISPLAY	
UNLESS OTHERWISE SPECIFIED DIMENSIONS ARE IN INCHES TOLERANCES		SIZE A	DWG NO. hexagon island
ANGLES ±5°	FRACTIONS ±1/16	SCALE NTS	REL DATE
DO NOT SCALE		SHEET	OF