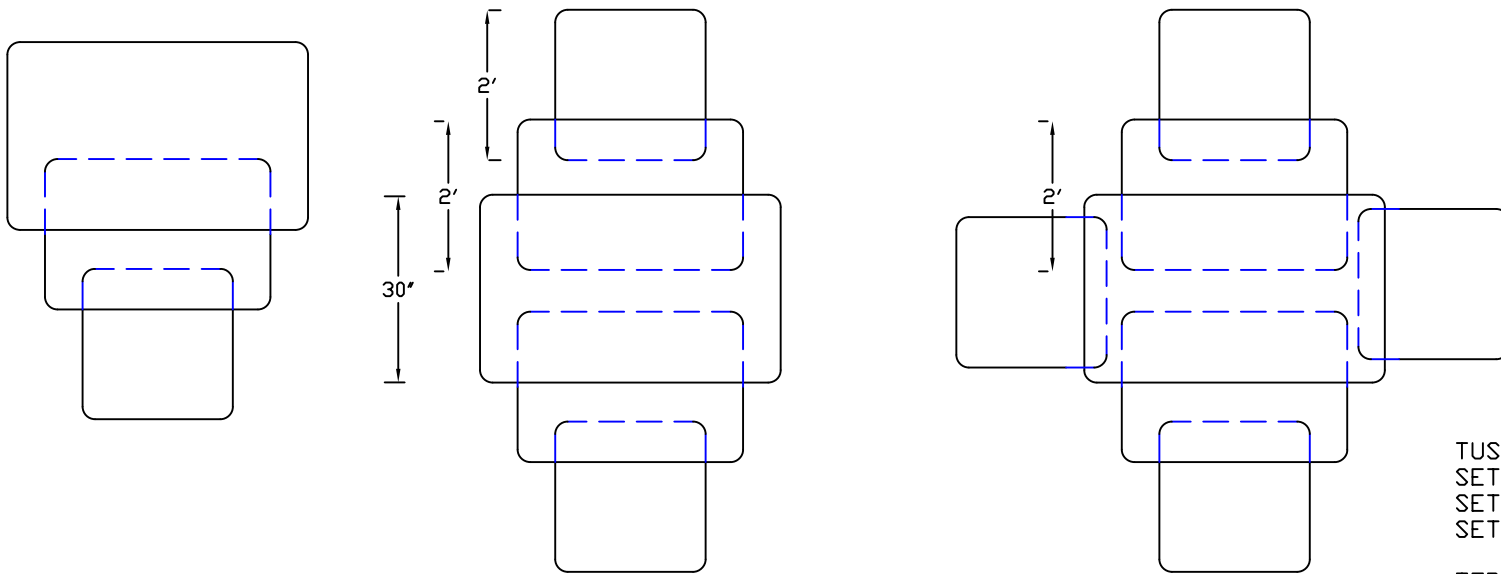
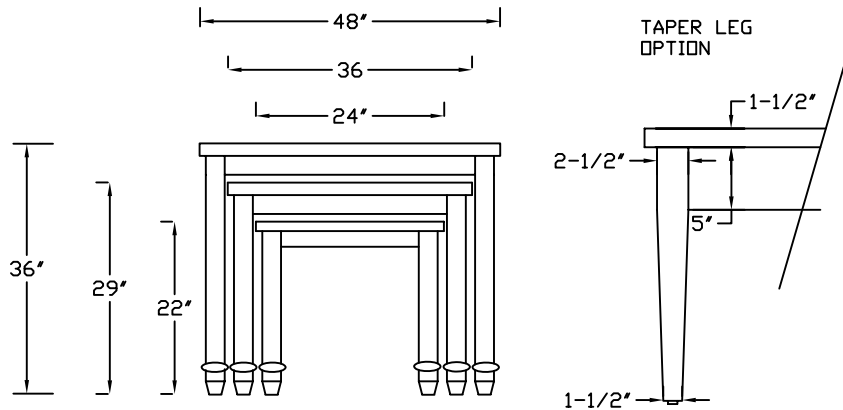


PLAN VIEW



ELEVATION



TUSCAN NESTING TABLE  
 SET OF 3: 1-48", 1-36", 1-24"  
 SET OF 5: 1-48", 2-36", 2-24"  
 SET OF 7: 1-48", 2-36", 4-24"

TOP OPTIONS:  
 \* WATERPROOF LAMINATE  
 \* SOLID SURFACE  
 \* METAL CLAD  
 \* BUTCHER BLOCK WOOD

LEG OPTIONS:  
 \* TURNED WOOD  
 \* TAPERED WOOD  
 \* SQ. POST WOOD

WOOD OPTIONS:  
 \* POPLAR  
 \* MAPLE  
 \* CHERRY  
 STAIN: TO BE ADVISED

LAMINATE: TO BE ADVISED

FOR INFORMATION ONLY  
 ALL RIGHTS RESERVED  
 Do not forward or reproduce without  
 expressed permission.  
 MEI (Division of Marcy Enterprises, Inc)

PROJECT NO. REV 03/22/05		DATE
DWN MKB		
CHK	12/01/04	

MEI LaGRANGE PARK, IL. 60526  
 P.O. BOX 1322

TITLE TUSCAN TABLES  
 TURNED WOOD LEGS  
 NESTING TABLE 48 36 24

SIZE A	DWG NO. nest tbl 48 36 24
SCALE NTS	REL DATE
SHEET	OF

UNLESS OTHERWISE SPECIFIED  
 DIMENSIONS ARE IN INCHES  
 TOLERANCES  
 ANGLES ±5° FRACTIONS ±1/16  
 DO NOT SCALE