

NOTE:

- * Two tier adjustable tempered glass shelves per door
- * Features or options not illustrated will be itemized on written proposal and specified on purchase order.
- * T8 High output ELS lighting
- * McCue 1" bumper
- * Expansion valve: Sporlan "F" Series standard unless specified otherwise.
- * Defrost control: N/A Remote systems (Digital case controllers optional) Optional Top mount condensing unit (Digital case controller)
- * Thermostat & liquid line solenoid valve installed
- * Drain: 5/8" poly tube centerline exterior rear
- * Specifications subject to change without notice

CASE SPECIFICATIONS:

REFRIGERATION:
 LOAD: SEE BELOW
 DISCHARGE AIR: 36o
 EVAPORATOR: 29o
 UNIT SIZING: 27o

DEFROST DATA:
 FREQUENCY HOURS: 8
 OFF TIME MINUTE: 20

LIQUID LINE: 1/4"
SUCTION LINE: 1/2"
DRAIN TUBING: 5/8"

ELECTRICAL REQUIREMENTS

MODEL	BTU/HR	DOORS & LIGHTS		TOTAL	COMPRESSOR		PAN	PUMP*
		115V	115V		HP	120V		
33FD/1DR	1600	3.04	0.6	3.64	1/3 HP	7.0	1.5	1.5
54FD/2DR	3000	4.76	0.6	5.36	1/2HP	9.5	1.5	1.5
72FD/2DR	3000	4.84	1.2	6.04	1/2HP	9.5	1.5	1.5
79FD/3DR	4000	6.5	2.4	7.70	1/2HP	9.5	1.5	1.5
103FD/3DR	6000	6.5	2.4	8.90	3/4HP	7.00	1.5	1.5

*Optional



PROJECT NO. _____

DWN S. BERRY DATE _____

CHK _____

UNLESS OTHERWISE SPECIFIED DIMENSIONS ARE IN INCHES TOLERANCES

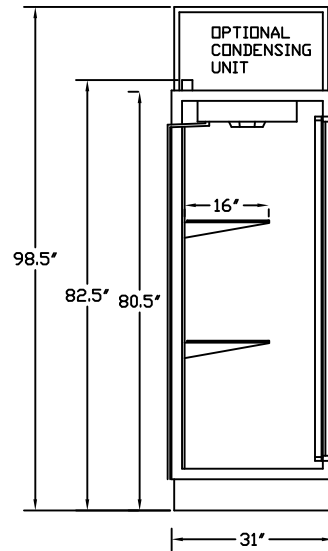
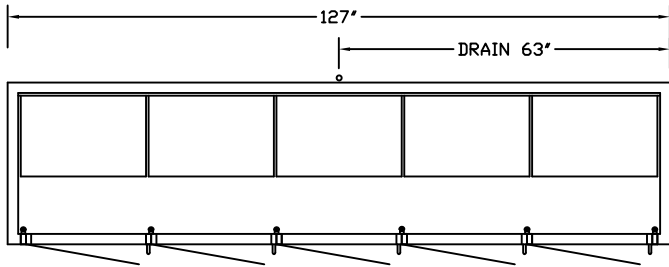
ANGLES FRACTIONS
 ±5° ±1/16
 DO NOT SCALE

M E I LaGRANGE PARK, IL. 60526
 P.O. BOX 1322

TITLE **SERIES 31 REACH-IN DISPLAY 1DR, 2DR, 3DR**

SIZE A DWG NO. P 31 RI 103DR

SCALE NTS REL DATE 05/20/06 SHEET OF



NOTE:

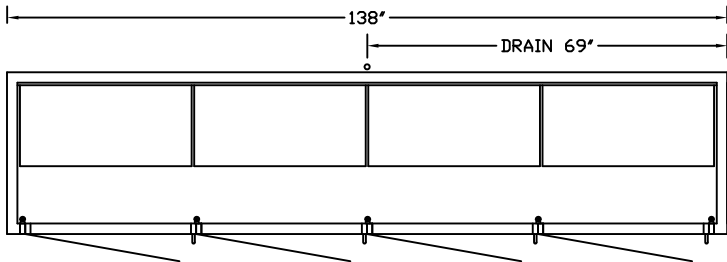
- * Two tier adjustable tempered glass shelves per door
- * Features or options not illustrated will be itemized on written proposal and specified on purchase order.
- * T8 High output ELS lighting
- * McCue 1" bumper
- * Expansion valve: Sporlan "F" Series standard unless specified otherwise.
- * Defrost control: N/A Remote systems (Digital case controllers optional) Optional Top mount condensing unit (Digital case controller)
- * Thermostat & liquid line solenoid valve installed
- * Drain: 5/8" poly tube centerline exterior rear
- * Specifications subject to change without notice

CASE SPECIFICATIONS:

REFRIGERATION:
 LOAD: SEE BELOW
 DISCHARGE AIR: 36°
 EVAPORATOR: 29°
 UNIT SIZING: 27°

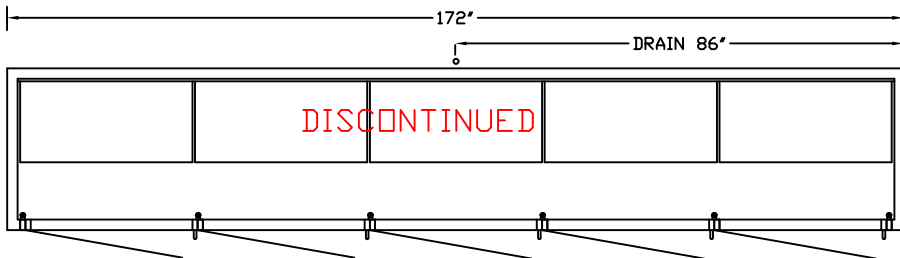
DEFROST DATA:
 FREQUENCY HOURS: 8
 OFF TIME MINUTE: 20

LIQUID LINE: 1/4"
 SUCTION LINE: 1/2"
 DRAIN TUBING: 5/8"

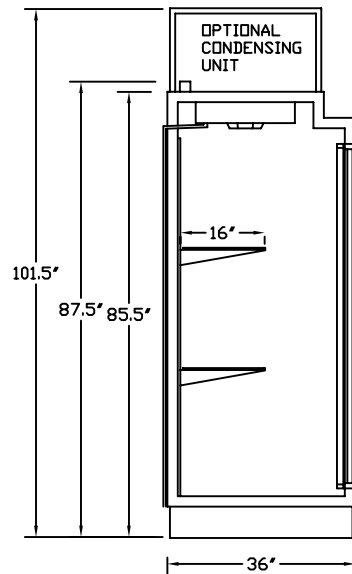
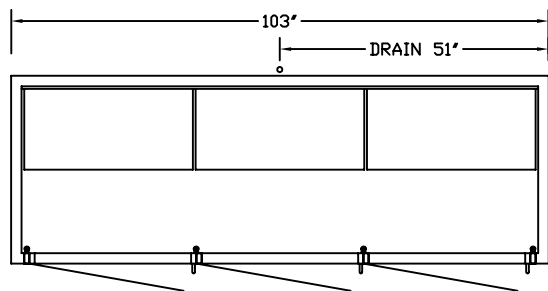
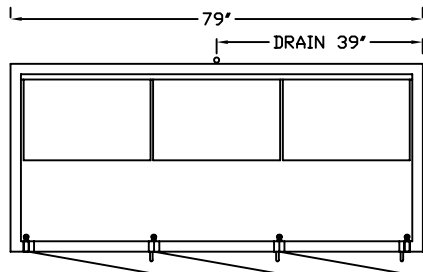
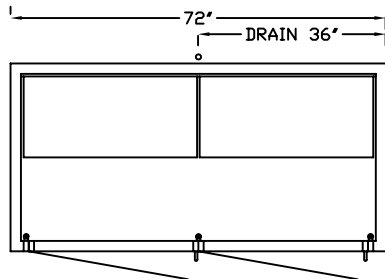
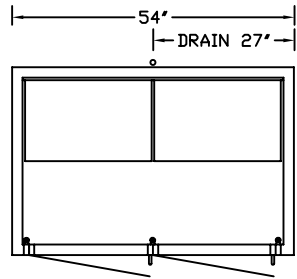


ELECTRICAL REQUIREMENTS								
MODEL	BTU/HR	DOORS & LIGHTS	FANS	TOTAL	COMPRESSOR	PAN	PUMP*	
		115V	115V	115	HP	230V	115V	115V
127FD/5DR	9000	9.96	3.6	13.56	1 HP	7.0	1.5	1.5
138FD/4DR	9000	8.37	3.6	11.97	1 HP	7.0	1.5	1.5
172FD/5DR	9000	10.14	3.6	13.74	1 HP	7.0	1.5	1.5

*Optional



PROJECT NO.		LaGRANGE PARK, IL. 60526 P.O. BOX 1322	
DWN S. BERRY CHK	DATE	TITLE SERIES 31 REACH-IN DISPLAY 4-DOOR & 5-DOOR	
UNLESS OTHERWISE SPECIFIED DIMENSIONS ARE IN INCHES TOLERANCES ANGLES FRACTIONS ±5° ±1/16 DO NOT SCALE		SIZE A	DWG NO. P 31 RI 4-5DR
SCALE NTS	REL DATE 05/20/06	SHEET OF	



NOTE:

- * Two tier adjustable tempered glass shelves per door
- * Features or options not illustrated will be itemized on written proposal and specified on purchase order.
- * T8 High output ELS lighting
- * McCue 1" bumper
- * Expansion valve: Sporlan "F" Series standard unless specified otherwise.
- * Defrost control: N/A Remote systems (Digital case controllers optional) Optional Top mount condensing unit (Digital case controller)
- * Thermostat & liquid line solenoid valve installed
- * Drain: 5/8" poly tube centerline exterior rear
- * Specifications subject to change without notice

CASE SPECIFICATIONS:

REFRIGERATION:

LOAD: SEE BELOW
 DISCHARGE AIR: 36°
 EVAPORATOR: 29°
 UNIT SIZING: 27°

DEFROST DATA:

FREQUENCY HOURS: 8
 OFF TIME MINUTE: 20

LIQUID LINE: 1/4" OD
 SUCTION LINE: 1/2" OD
 DRAIN TUBING: 5/8"

ELECTRICAL REQUIREMENTS

MODEL	BTU/HR	DOORS & LIGHTS		TOTAL	COMPRESSOR		PAN	PUMP*
		115V	115V		HP	120V		
5436FD/2DR	3000	4.76	0.6	5.36	1/2HP	9.5	1.5	1.5
7236FD/2DR	3000	4.84	1.2	6.04	1/2HP	9.5	1.5	1.5
7936FD/3DR	4000	6.5	2.4	7.70	1/2HP	9.5	1.5	1.5
10336FD/3DR	6000	6.5	2.4	8.90	3/4HP		7.00	1.5

*Optional



PROJECT NO.

DWN
S. BERRY
CHK

UNLESS OTHERWISE SPECIFIED
DIMENSIONS ARE IN INCHES
TOLERANCES
ANGLES ±5°
FRACTIONS ±1/16
DO NOT SCALE

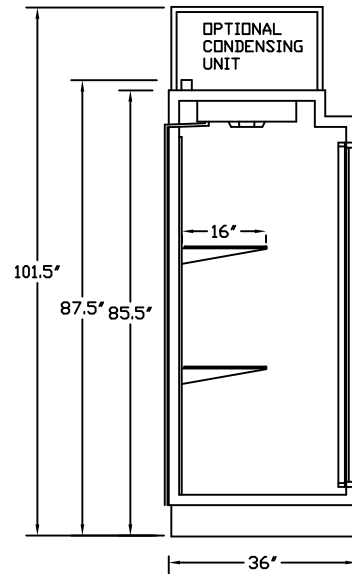
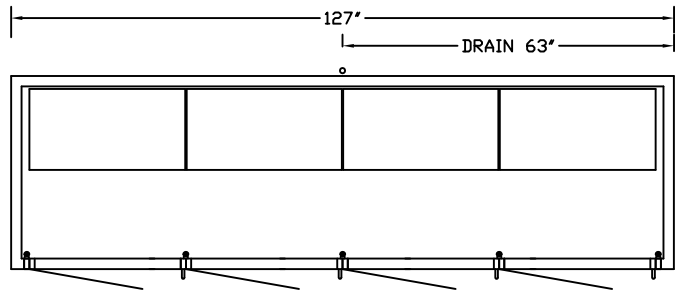
M E I LaGRANGE PARK, IL. 60526
P.O. BOX 1322

TITLE
**SERIES 36
REACH-IN DISPLAY
1DR, 2DR, 3DR**

SIZE
A

DWG NO.
P 36 RI 103DR

SCALE NTS REL DATE 05/20/06 SHEET OF



NOTE:

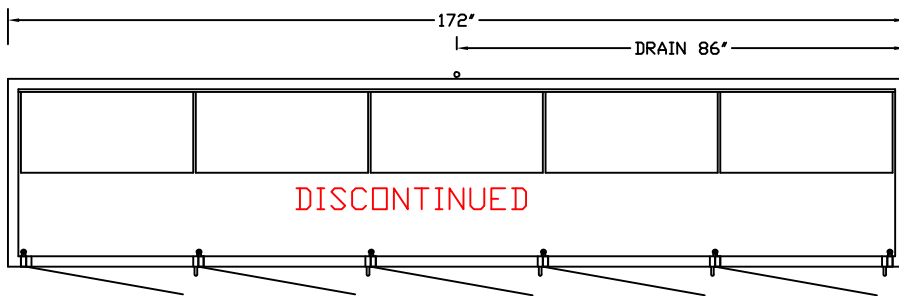
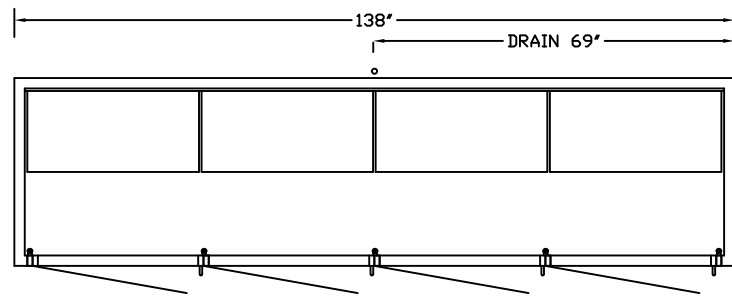
- * Two tier adjustable tempered glass shelves per door
- * Features or options not illustrated will be itemized on written proposal and specified on purchase order.
- * T8 High output LED lighting
- * McCue 1" bumper
- * Expansion valve: Sporlan "F" Series standard unless specified otherwise.
- * Defrost control: N/A Remote systems (Digital case controllers optional) Optional Top mount condensing unit (Digital case controller)
- * Thermostat & liquid line solenoid valve installed
- * Drain: 5/8" poly tube centerline exterior rear
- * Specifications subject to change without notice

CASE SPECIFICATIONS:

REFRIGERATION:
 LOAD: SEE BELOW
 DISCHARGE AIR: 36°
 EVAPORATOR: 29°
 UNIT SIZING: 27°

DEFROST DATA:
 FREQUENCY HOURS: 8
 OFF TIME MINUTE: 20

LIQUID LINE: 1/4" OD
 SUCTION LINE: 1/2" OD
 DRAIN TUBING: 5/8"



ELECTRICAL REQUIREMENTS

MODEL	BTU/HR	DOORS & LIGHTS		TOTAL	COMPRESSOR		PAN	PUMP*
		115V	115V		HP	230V		
12736FD/5DR	9000	9.96	3.6	13.56	1 HP	7.0	1.5	1.5
13836FD/4DR	9000	8.37	3.6	11.97	1 HP	7.0	1.5	1.5
17236FD/5DR	9000	10.14	3.6	13.74	1 HP	7.0	1.5	1.5

*Optional



PROJECT NO.		LaGRANGE PARK, IL. 60526 P.O. BOX 1322	
DWN S. BERRY	DATE	TITLE SERIES 36 REACH-IN DISPLAY 4-DOOR & 5-DOOR	
UNLESS OTHERWISE SPECIFIED DIMENSIONS ARE IN INCHES TOLERANCES		SIZE A	DWG NO. P 36 RI 4-5DR
ANGLES ±5°	FRACTIONS ±1/16	SCALE NTS REL DATE 05/20/06 SHEET OF	
DO NOT SCALE			